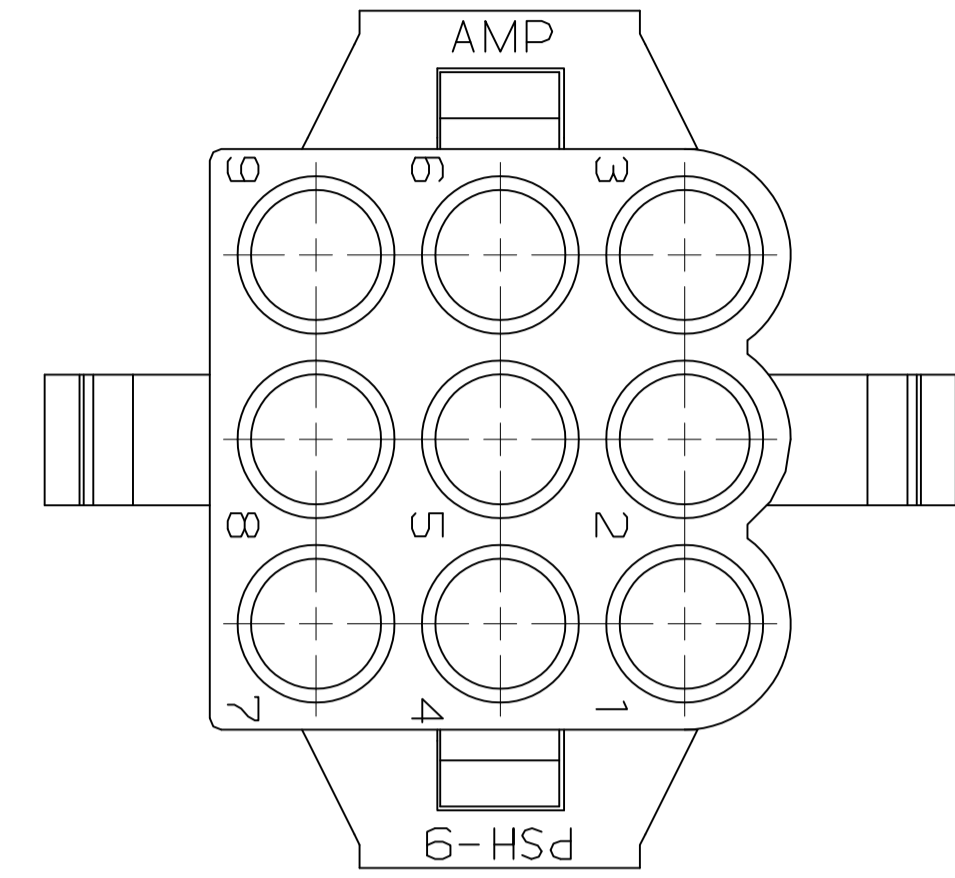
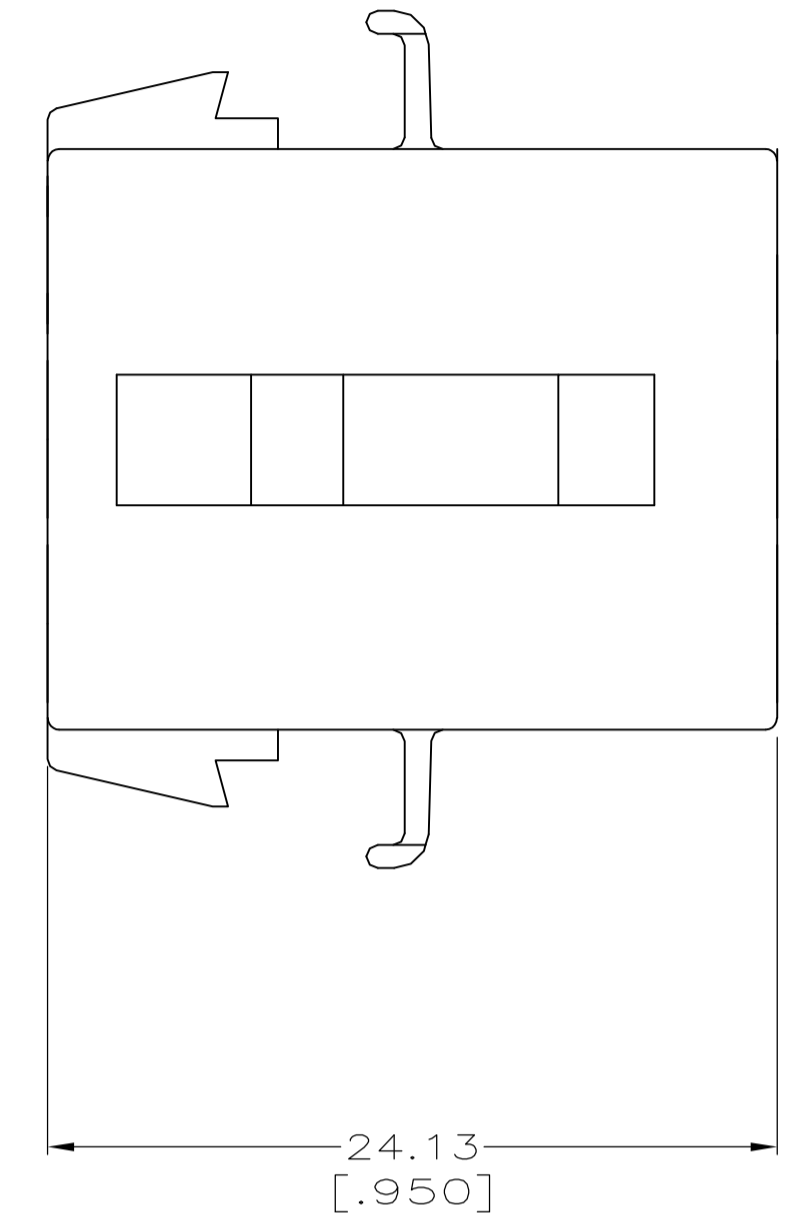
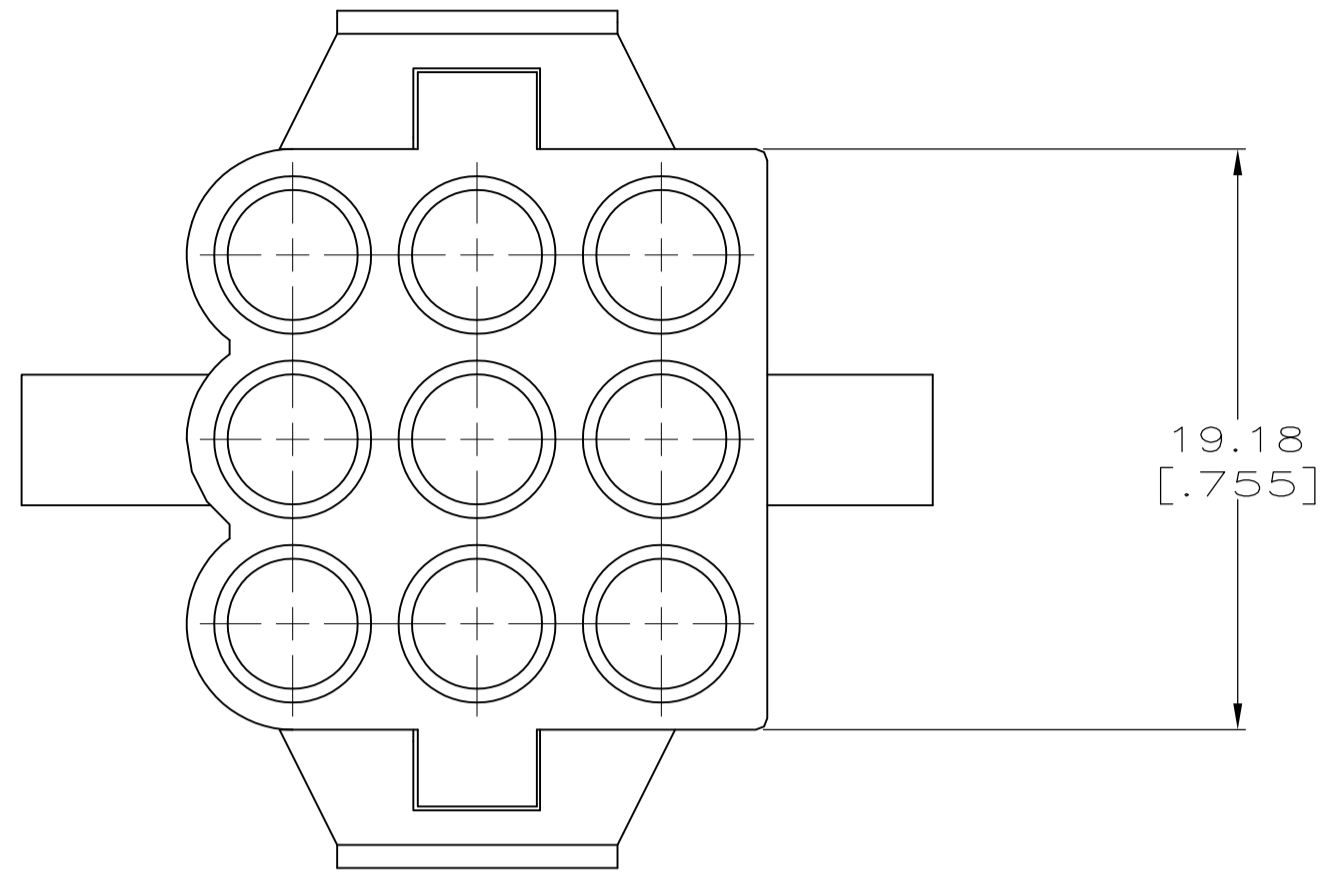
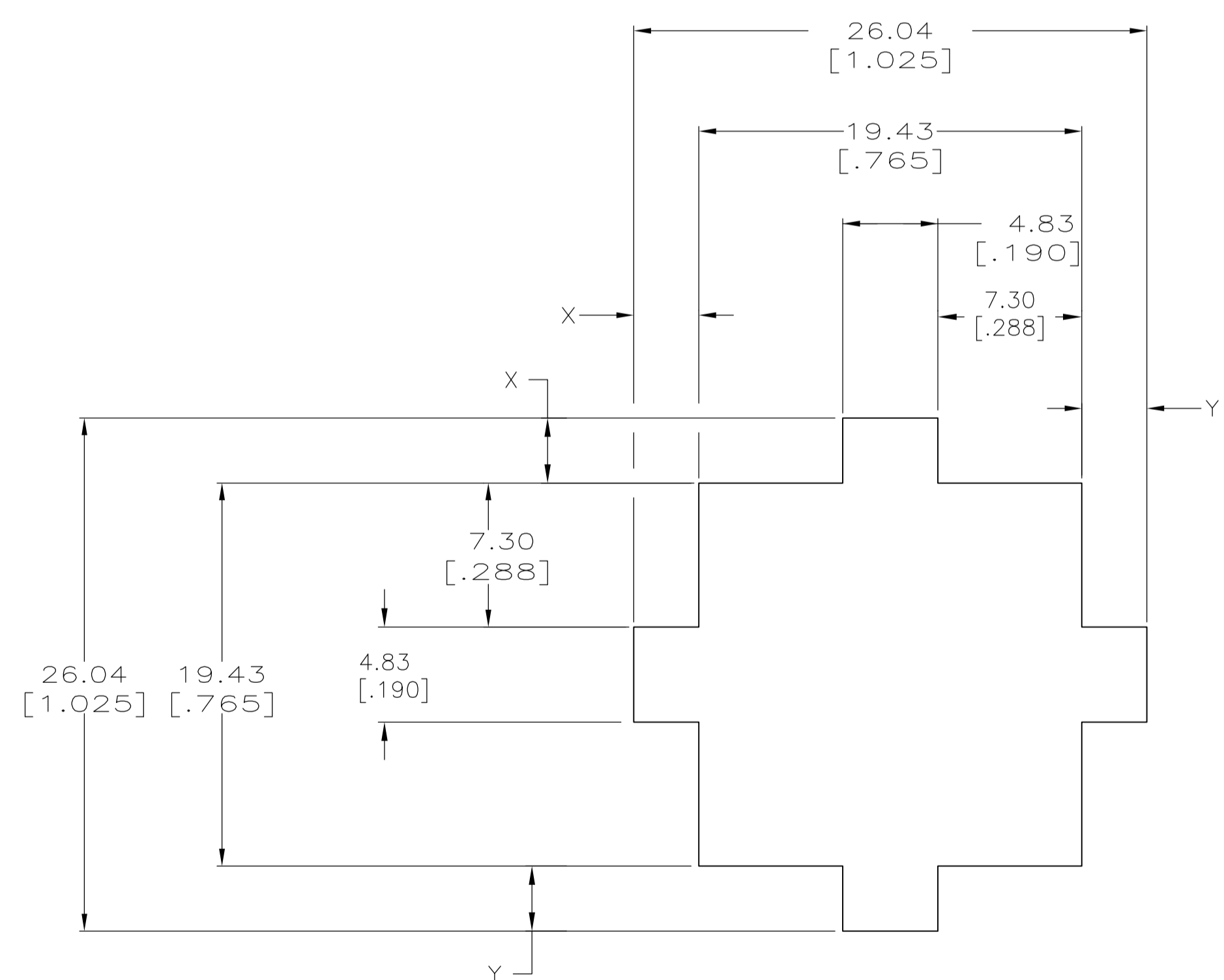
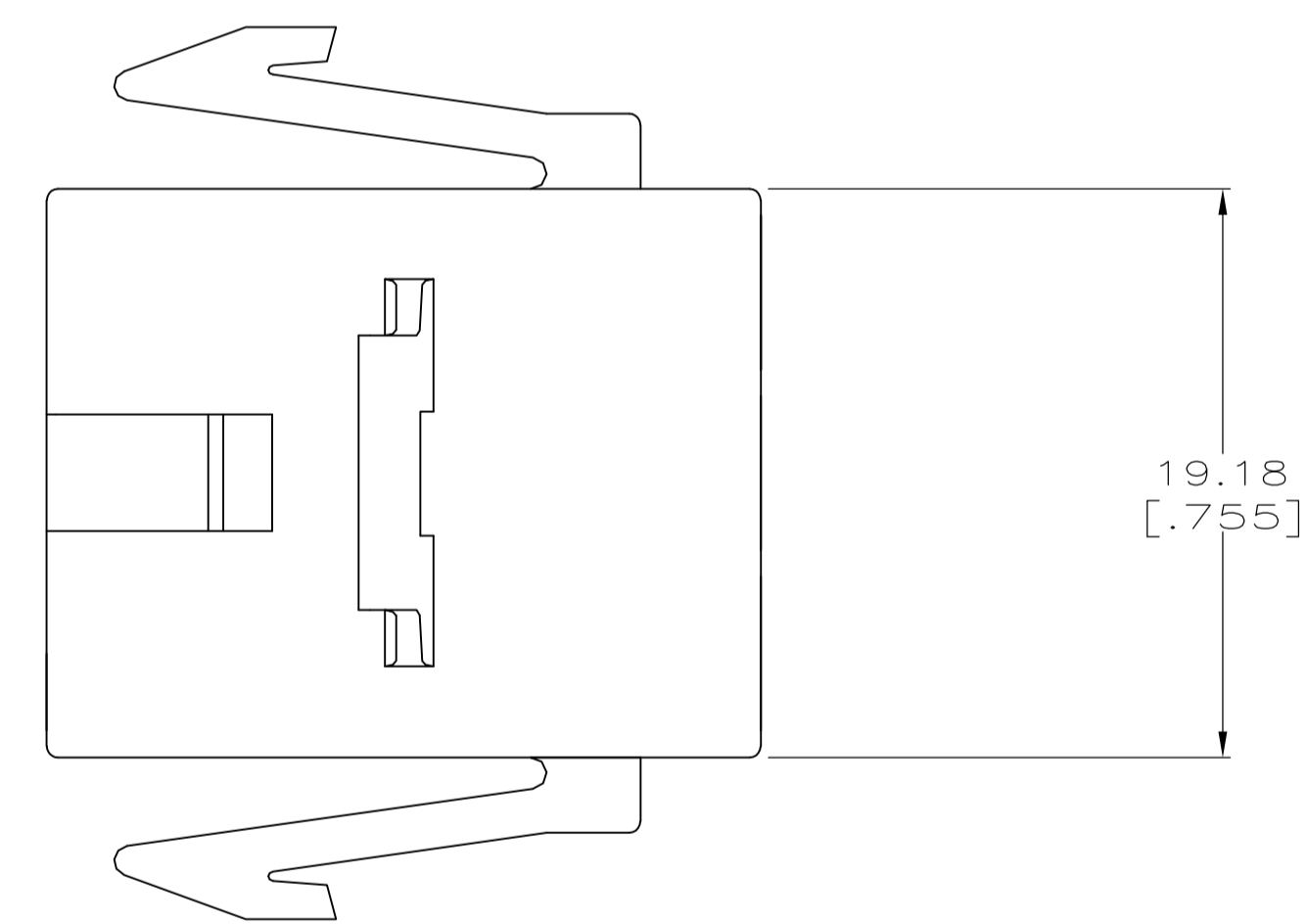


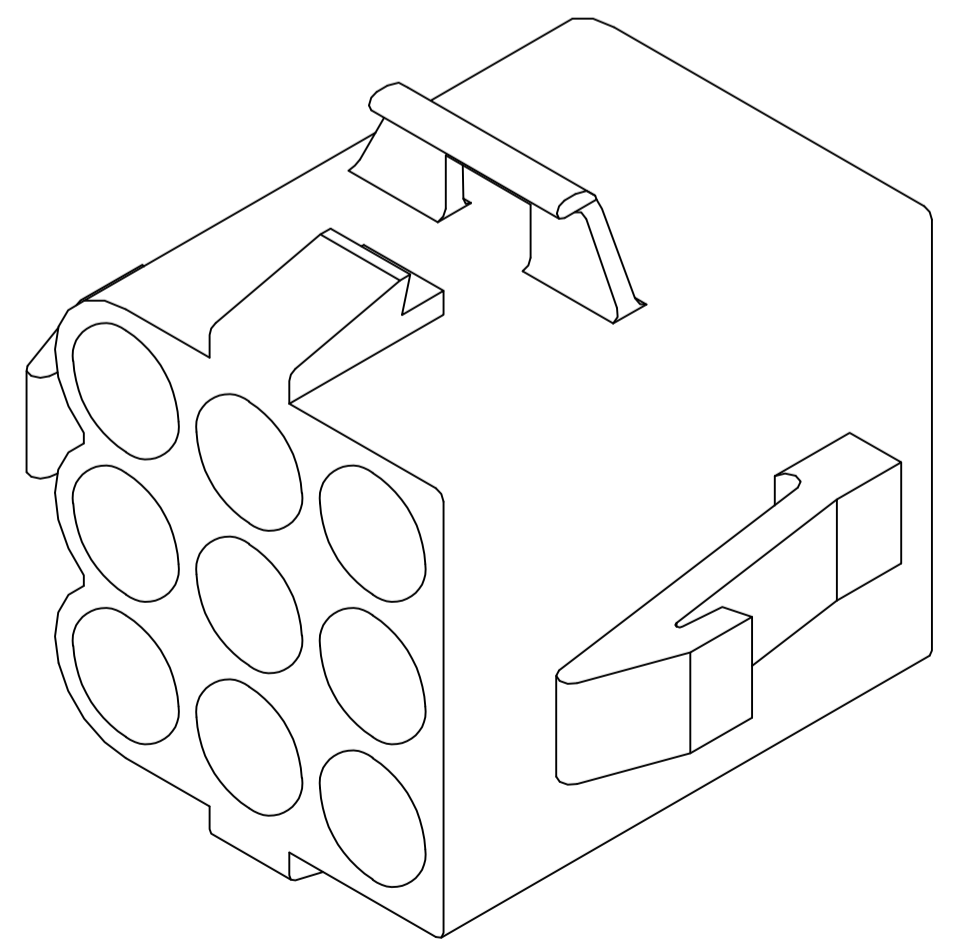
LOC		DIST		REVISIONS			
P	LTR	DESCRIPTION	DATE	DWN	APVD		
H1		REVISED PER ECO-11-005027	11MAR11	RK	HMR		



- PANEL THICKNESS - 1.02[.040] - 1.78[.070].
- X & Y TO BE EQUAL WITHIN 0.13[.005].
- PANEL MUST BE PUNCHED SO THAT THE HOUSING AND THE PUNCH ENTER THE PANEL IN THE SAME DIRECTION.

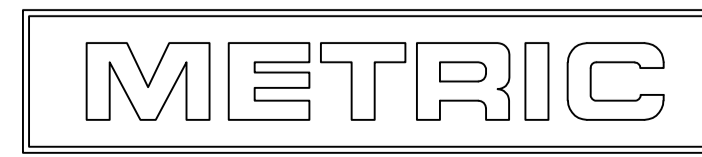


RECOMMENDED PANEL CUT OUT FOR PLUG



3-DIMENSIONAL MODEL NTS

BLACK	1-480672-9
YELLOW	1-480672-4
BROWN	1-480672-1
NATURAL	1-480672-0
COLOR	PART NUMBER



THIS DRAWING IS A CONTROLLED DOCUMENT.

DIMENSIONS: mm [INCHES]	TOLERANCES UNLESS OTHERWISE SPECIFIED:	DIN K. WHITAKER 06-JAN-2000	APVD S. RIDGILL 06-JAN-2000	NAME	PLUG, 9 CIRCUIT, .140 MATE-N-LOK(TM)
0. PLC ± -	1. PLC ± -	CHK S. RIDGILL 06-JAN-2000	APVD S. RIDGILL 06-JAN-2000	SIZE	A1
2. PLC ± 0.13[.005]	3. PLC ± -	PRODUCT SPEC	APPLICATION SPEC	WEIGHT	00779C=480672
4. PLC ± -	ANGLES ± 0.30°	MATERIAL NYLON, UL94-V2	FINISH	CUSTOMER DRAWING	SCALE 4:1 SHEET 1 OF 1 REV H1

STE TE Connectivity